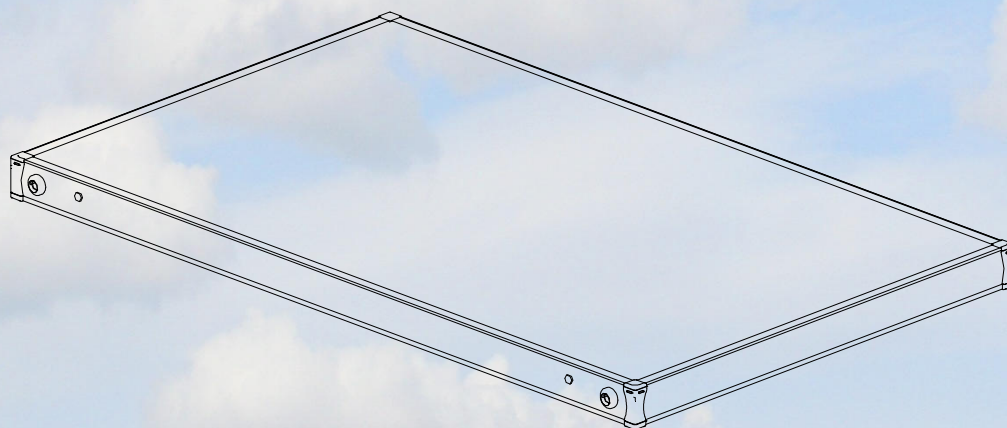


# Flat plate collector K425-MS-AL

## Technical data

Type of construction	Flat plate collector for on-roof, flat-roof and facade mounting
Absorber type	KBB absorber with Al-sheet and Cu-tubes, Absorber with 1 meander $\varnothing 9$ mm and 2 manifold $\varnothing 22$ mm
Measurement (L / W / H)	2360 / 1150 / 95 mm
Gross area	2.74 m <sup>2</sup>
Aperture area/Absorber area (net)	2.5 m <sup>2</sup> / 2.5 m <sup>2</sup>
Total Weight dry	42.4 kg
Liquid content	1.95 l
Efficiency $\eta_0$	81.5 %, related to the aperture area
Heat loss coefficient a1	3.94 W / (m <sup>2</sup> x K)
Heat loss coefficient a2	0.0167 W / (m <sup>2</sup> x K <sup>2</sup> )
Heat loss coefficient a40	4.6 W / (m <sup>2</sup> x K <sup>2</sup> )
Max stagnation temperature	202 °C
Absorber coating	High selective on Aluminium
Absorptance / Emittance	95 % / 5%
Covering	Low iron, structured, solar safety glass (ESG)
Transmission of covering	91.5 %
Impact resistance of covering	Cover passed the optional impact resistance tests following EN12975-2.
Nominal flow	150 l/h (low flow conditions: 60 l/h)
Nominal pressure loss	360 mbar (low flow conditions: 110 mbar, water/propylene-glycol 20°C)
Hydraulic connection	Parallel connection with collectors side-by-side
Collector connection	4 connectors, $\varnothing 22$ mm plug connectors or $\varnothing 22$ blank ends
Max operation pressure	10 bar
Heat insulation	Mineral wool 50 mm
Collector case	Aluminium frame, powder coated
Angle of inclination	15 – 90°
Permissible wind and snow load	3 kN/m <sup>2</sup> suction, 5 kN/m <sup>2</sup> pressure
Recommended heat transfer fluid	Antifreeze mix based on propylene-glycol
Guarantee	10 years for functionality and weathering resistance





**KBB Kollektorbau GmbH**

Bruno-Bürgel-Weg 142-144

D-12439 Berlin

Phone: +49 (30) 6781789-0

Fax: +49 (30) 6781789-50

[info@kbb-solar.com](mailto:info@kbb-solar.com)

[www.kbb-solar.com](http://www.kbb-solar.com)

